

INTI-CPTZ-Type 1

Surveillance Camera

Features

- Support max 1920*1080 @30fps HD video output
- H.264/H.265 encoding
- Low illumination 0.01Lux/F1.6 (Color), 0.001Lux/F1.6 (B/W), 0 Lux (IR on)
- 30X 2MP HD optical zoom auto focus lens
- Support 3DNR, WDR, defog, HLC, anti shake, etc
- Support 360° pan endless: tilt 0°-90°
- Support manual speed: 0.1°-150°/S, preset: 180°/S
- 256 presets, 4 pattern scan, 8 preset cruise
- 3D positioning, privacy mask, PTZ watch
- Support target counting, electronic fence, retrograde detection, off-site detection
- Support face recognition, Human and vehicle shape detection, helmet detection
- 1CH audio input, 1CH audio output
- 2CH alarm input, 1CH alarm output, support alarm linkage
- Support smart IR grouping control, IR distance can reach 150m
- Support max 128G Micro SD card
- SDK, ONVIF, API, GB/T28181 protocol
- Lightning Protection, surging prevention, anti surge, IP66 protection level

PT Industri Telekomunikasi Indonesia (Persero)

✉ info@inti.co.id

Kantor Pusat

Jl. Moch. Toha No.77
Bandung 40253
Tlp : (022) 5201501
Fax : (022) 5202444

Kantor Cabang

Jl. Balitung 1 No.17 (Senopati)
Jakarta Selatan 12110

Fasilitas Produksi

Jl. Moch. Toha No. 225
Bandung
Tlp : (022) 5206510

Kontak :



Specification

Zoom Module

Image Sensor	: 1/2.8" Sony 2.13M CMOS Sensor
Min. illumination	: Color: 0.01 Lux@F1.6, B/W: 0.001Lux@F1.6, 0Lux (IR ON)
Effective Pixels	: 2MP
Resolution	: More than 1000TVL
Optical Zoom	: 33X
Digital zoom	: /
Focal Length	: f=5.2mm ~ 156mm
Iris	: F1.3 (W) ~ F4.8 (T)
Angle of View	: 65.4° (Wide) ~ 2.48° (Tele)
Zoom Speed	: 1-10 level optional
Focus Mode	: Auto/Manual
S/N Ratio	: >50dB
Image Adjust	: Support brightness, contrast, saturation, Hue can be adjusted through web
White Balance	: Auto/ Custom/ Lock white balance/ incandescent/ warm/ natural/ fluorescen
Image Mode	: Standard/ gorgeous/ natural
Iris Control	: Auto/Manual
Electronic Shutter	: Auto/Manual (1/25 ~ 1/10000)
Auto Slow Shutter	: On/Off
Gain Control	: Lower/ Low/ Middle/ High/ Higher
BLC	: Off/ HLC/ BLC
WDR	: Off/ TWDR/ DWDR
Day/Night	: AutoColor/ B/ W/ Extern
Mirror	: Normal/ Horizontal Mirror/ Vertical Mirror/ 180° rotation
DNR	: 3DNR, Off/ Low/ Middle/High/Higher
Defog	: Off/Low/ Middle/High
Anti Shake	: Off/ Low/ Middle/High

Audio/Video Compression

Video Compression	: H.265/H.264
H.265 Encoding	: Main Profile
H.264 Encoding	: BaseLine/ Main Profile/ High Profile
Frame Rate	: 1 ~ 30fps adjustable 1920x1080, 1280x960, 1280x720, 720x576
Main Stream Resolution	: 1920x1080 (1080p), 1280x960 (960p), 1280x720 (720p), 720x576 (DI), 640x480 (VGA), 352x288 (CIF)
Sub Stream Resolution	: 720x576 (DI), 640x480 (VGA), 352x288 (CIF)
Output Format	: PAL/NTSC adjustable
Max. Resolution	: 1920X1080
Video Bit Rate	: Constant bit rate, Variable bit rate (16kbps-8000kbps)
Stream Type	: Complex stream/ Video stream
Audio Compression	: G.711u

Audio Bit Rate	: 64 Kbps
Audio Control	: Input volume (0-100), output volume (0-100)
ROI	: 8 zones (1-6)

Function

Pan Range	: 360° endless
Tilt Range	: 0°- 90°
Manual Control	: 0.1° ~ 150°/s
Preset Speed	: 180°/s
Preset Accuracy	: 0.1°
Preset	: 256
Cruise	: 8 groups
Pattern	: 4 groups
Continuous Scan	: Support
Proportion Zoom	: Auto
PTZ Watch	: Off/ Preset/ Cruise/ Pattern
Auto Flip	: Mechanical Flip
Power off Memory	: Support
3D Positioning	: Support
Magnification/ Coordinate	: Support
IR Irradiation angle	: Automatically grouping adjusted, depending on the zoom ratio
IR Distance	: 150m
Smart IR	: IR irradiation brightness and angle can be adjusted depending on the zoom ratio

Network

Network Protocol	: IPv4, TCP, UDP, HTTP, HTTPS, SMTP, FTP, NTP, DNS, DDNS, DHCP, ARP, UPnP, RTSP, RTP, RTCP, IGMP, PPPoE, ICMP, SNMP
Access Protocol	: ONVIF GB/T28181
Browser	: Support IE11
Video Preview Meanwhile	: Max 8CH
User Permission	: User Add/ Delete/ Modify, Administrator/ Operator/ Ordinary users
Safe Mode	: Authorized user name and password
Motion Detection	: Multi areas, multi-level sensitivity threshold optional
Tampering Alarm	: 1 zone
Privacy Mask	: 8 zones
Smart Analysis	: Target Counting, Electronic Fence, Retrograde Detection, Off-site Detection
Event linkage	: Snapshot, TF card video, FTP upload or Email sending , alarm output linkage, Trusted Partner Preset linkage
Multicast	: On/Off
ANR	: Support, match with the NVR



Mobile Surveillance	: Support Android, Apple
Device Exception	: Support network disconnected, IP conflict, illegal access alarm
OSD	: Title, time and date overlay, OSD color/size adjustable
DST	: Support
System Upgrade	: Support online remote upgrade

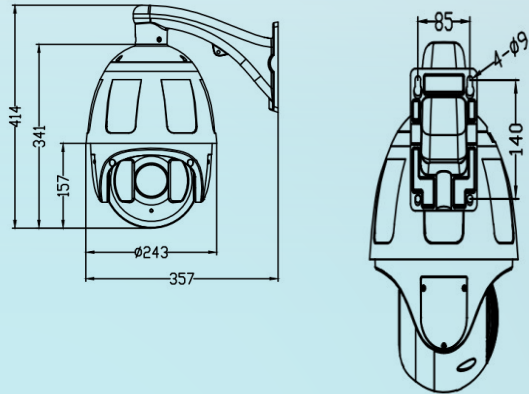
AI

Face Detection Number	: Detect 30 static or 10 dynamic face targets simultaneously
Recognition Face Size	: Face pixel ≥ 80 pixels
Posture	: Capture within 20 degrees in vertical, within 20 degrees in horizontal
Face Deduplicate	: Support
Face Quality Filtering	: Support
Dynamic Exposure	: Support
Face Database Capacity	: Support built-in 10000 faces
Recognition Area	: Full image recognition, support zone optional setting
Upload Mode	: FTP, SDK function calling upload
Human and Vehicle Shape Detection	: Target Counting, Electronic Fence, Retrograde Detection, Off-site Detection
Network Interface	: RJ45 10M/100M Network Adaptive
Analog Video Output	: /
Audio	: 1CH input/1CH output, monitoring or bidirectional talk
Alarm Input	: 2 CH input
Alarm Output	: 1CH output, support alarm linkage
Reset	: Support
RS485 Port	: Support FSN protocol
TF Card	: Support Max 128G, Support ANR

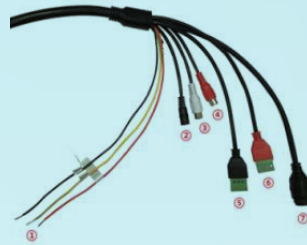
General

Protection Grade	: IP66
Operating Temperature	: Outdoor: $-30^{\circ}\text{C} \sim 60^{\circ}\text{C}$ (Support 30 minutes delay to boot up under low temperature)
Operating Humidity	: 10% ~ 90%RH (No condensation)
Power Supply	: DC12V/5A ($\pm 10\%$)
POE	: /
Power Consumption (max.)	: 55W
Weight/PCS (kg)	: About 9kg

Dimensi



Wire Interface



1. Power Supply
2. Reset
3. Audio Output
4. Audio Input
5. Alarm Input
6. Alarm Output/RS485
7. Network Interface

